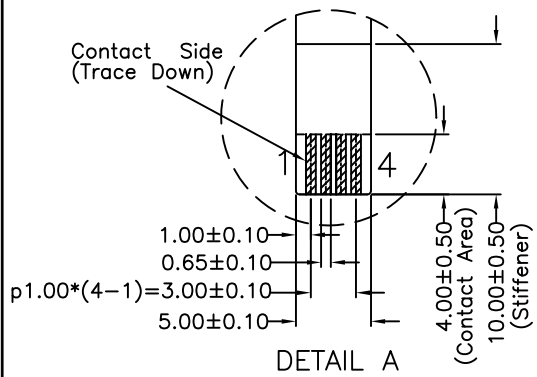
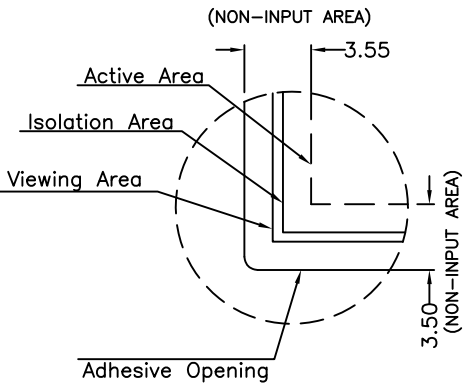


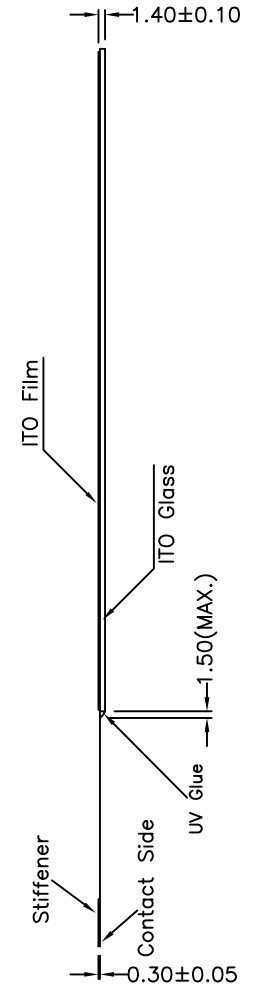
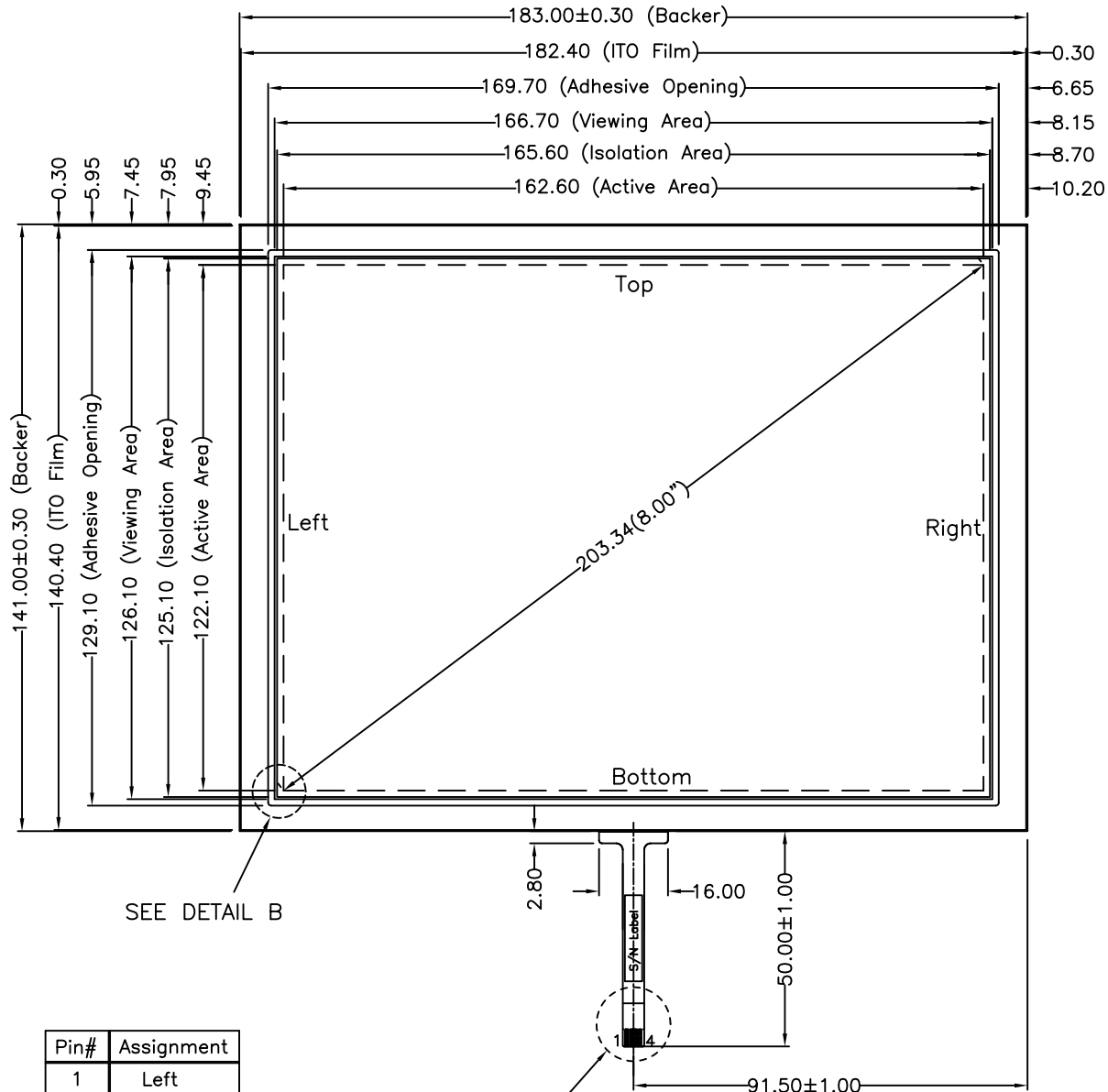
FRONT VIEW



DETAIL A



DETAIL B



NOTES:

1. ITO GLASS THICKNESS: 1.10mm
2. OVERALL THICKNESS: 1.40±0.10mm
3. CONNECTOR AND PINOUT AS INDICATED
4. FRONT SURFACE: ANTI-GLARE HARDCOAT
5. LAYER TO LAYER ASSEMBLY TOLERANCE : ±0.30mm
6. TAIL TYPE: IMMERSION GOLD PLATED FPC , ZIF
7. OTHER SPEC: SEE APPROVAL SHEET

Pin#	Assignment
1	Left
2	Bottom
3	Right
4	Top

SEE DETAIL A

SEE DETAIL B



NO.	DATE	DESCRIPTION	CHK
REVISION			
CHIEF OF DESIGN		APPROVED	Alex
ENGINEER		PROJECT NUMBER	
DRAWN BY	Grace	DATE	JAN 15, 2009
SHT	1 OF 1	REV.	

Apex Material Technology Corp.

TOLERANCES UNLESS SPECIFIED		MODEL NAME : 9556
.X	± 0.50	DWG NO : 9556-0-01
.XX	± 0.50	SCALE: 1:1 UNIT: mm
.XXX	± 0.30	
ANGULAR	.	